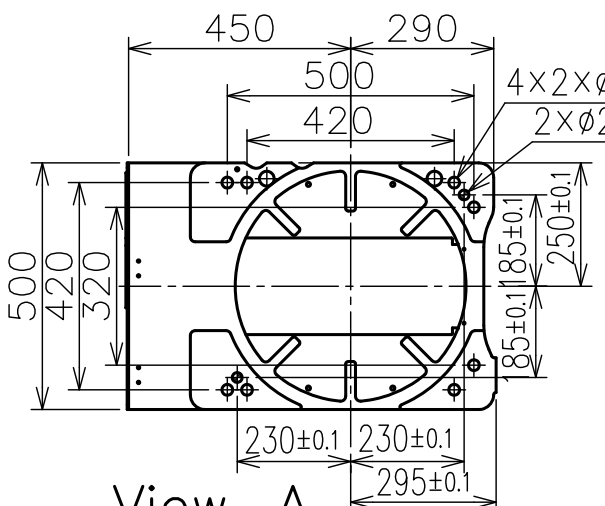
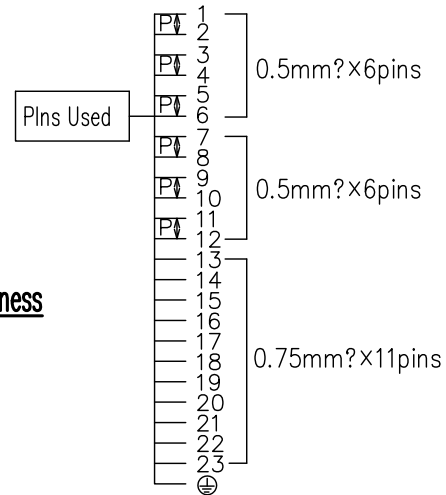
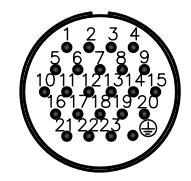
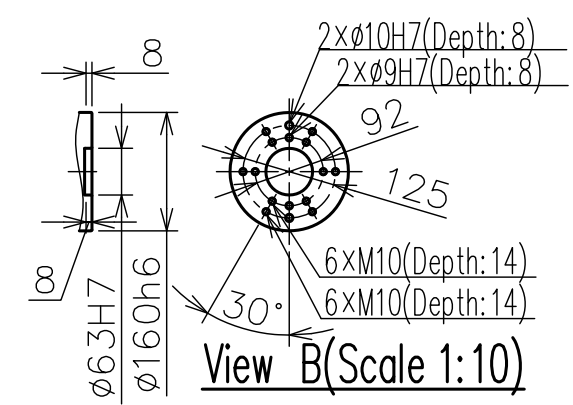
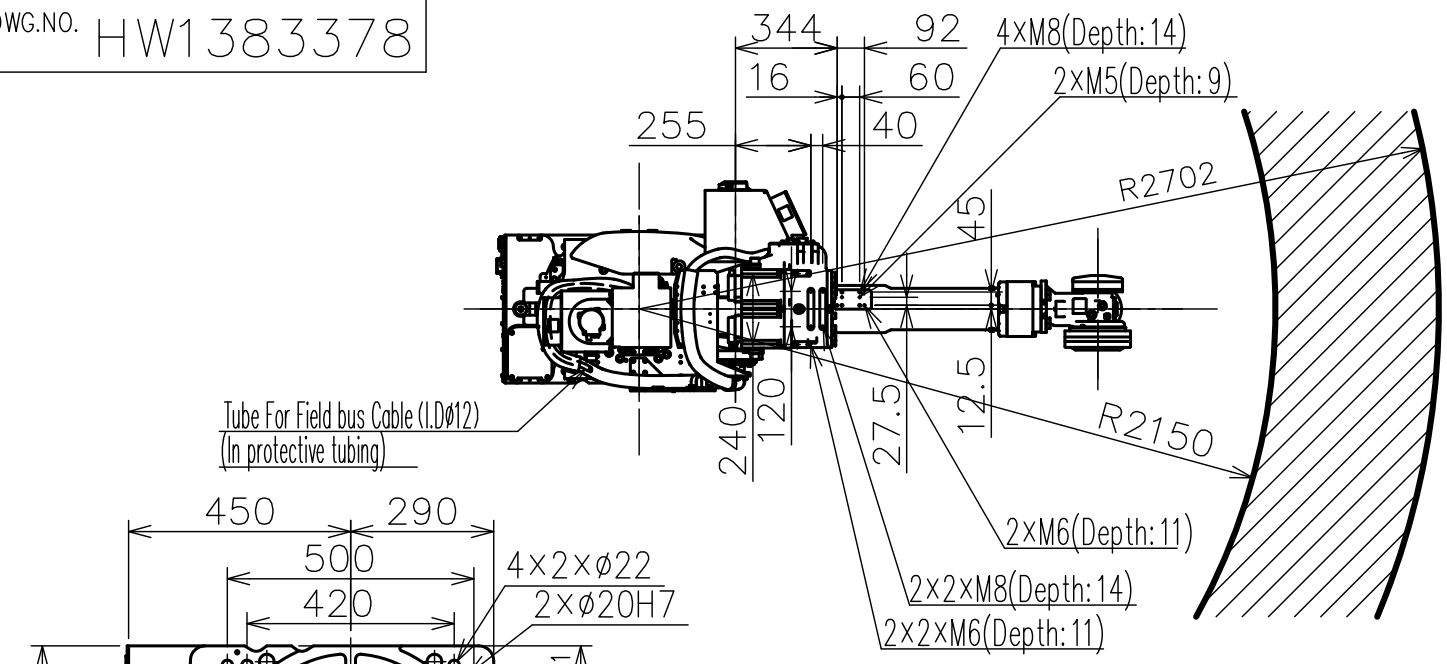


DWG.NO. HW1383378

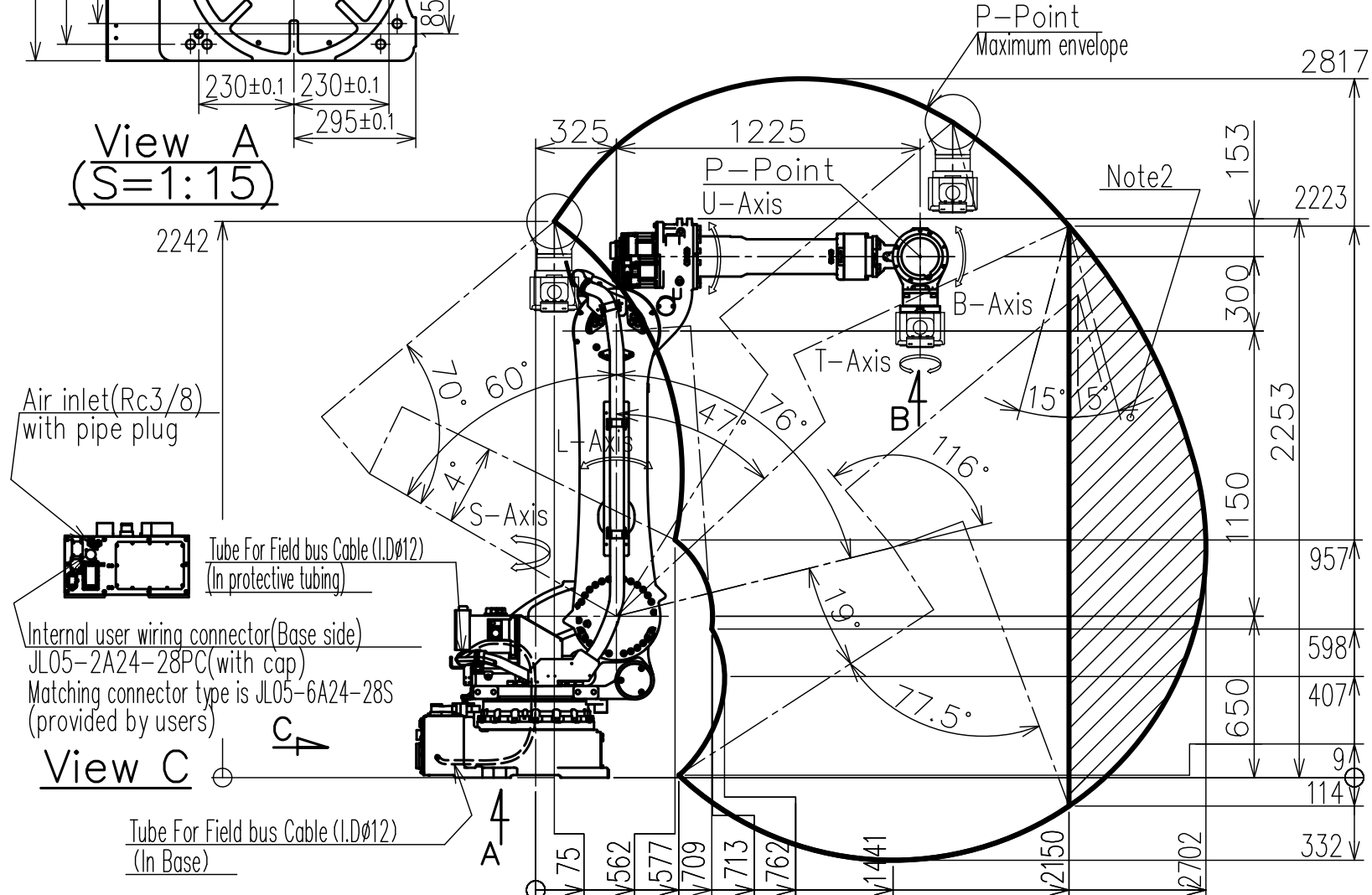
A
B
C
D
E
F

Item	Model	MOTOMAN-MPL100II	
Flange for Cabling		Without	With
Configuration		Articulated Robot	
Degree of Freedom		5	
Payload		115kg	100kg
Repeatability		±0.2mm	
Range of Motion	S-Axis	-180° - +180°	
	L-Axis	-60° - +76°	
	U-Axis	-147° - +40°	
	B-Axis	±15° *1	
	T-Axis	-360° - +360°	-210° - +210°
Max Speed	S-Axis	2.18 rad/s, 125°/s	
	L-Axis	1.53 rad/s, 88°/s	
	U-Axis	2.18 rad/s, 125°/s	
	B-Axis	3.05 rad/s, 175°/s	
	T-Axis	4.63 rad/s, 265°/s	
Allowable Moment	B-Axis	196kg·m (20kgf·m)	
	T-Axis	0N·m (0kg·m)	
Allowable Inertia (GD 7/4)	B-Axis	90kg·m ²	88kg·m ²
	T-Axis	55kg·m ²	
Approx. Robot mass		950kg	
Ambient Conditions	Temperature	0 to +45	
	Humidity	20 to 80%RH (Non-condensing)	
	Vibration acceleration	Less than 4.9m/s ² (0.5G)	
	Others	<ul style="list-style-type: none"> Free from explosive or corrosive gas and liquid. Free from dust, oil or water. Free from electrical noise. 	
	Power Requirements	8.0kVA	

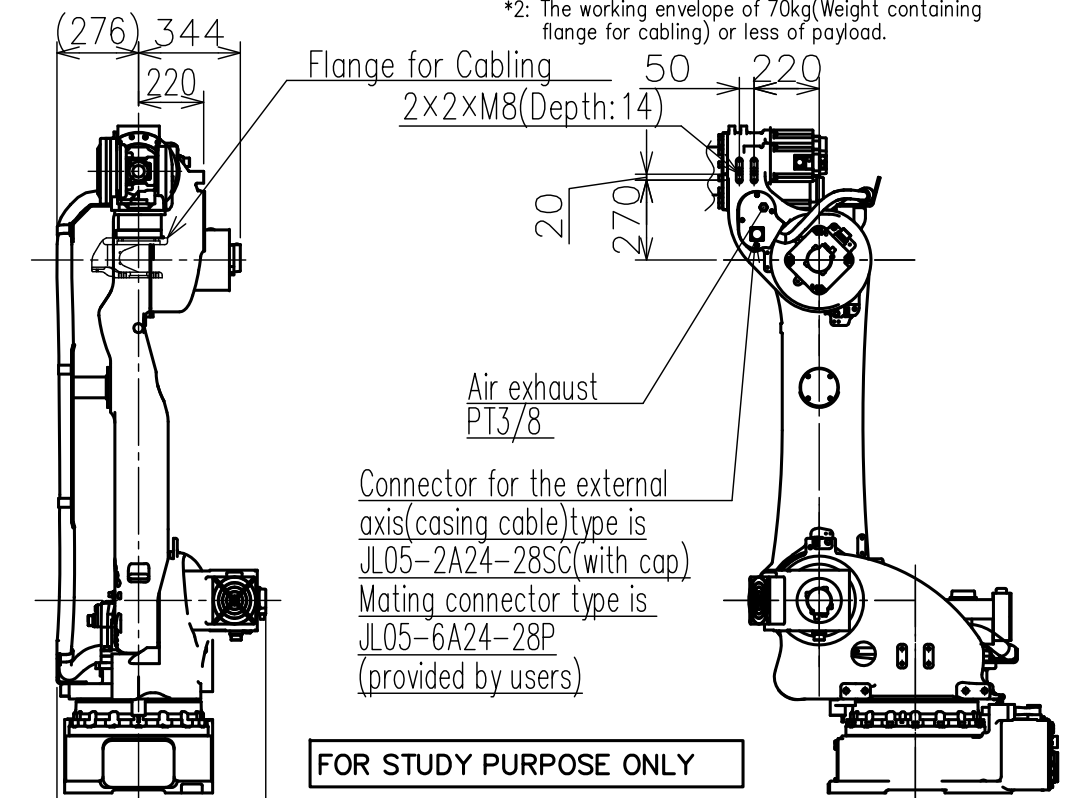
SI units are used in this table. However, gravitational units are used in Repeatability is conformed to ISO 9283.
 *1: The range of motion of B-axis is an angle to the ground. But an angle of motion may be restricted by the relative angle with upper arms.
 *2: The working envelope of 70kg (Weight containing flange for cabling) or less of payload.



View A (S=1:15)



View C

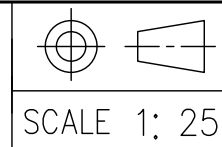


FOR STUDY PURPOSE ONLY

Type	Note
YR-MPL0100-J00	STANDARD

Units: mm

Note:
 1. All rights reserved.
 2. Please note that the data is subject to be deleted without advance notice.
 3. No warranty is given in relation to the data including the specification.
 4. We are not responsible for any damages or loss caused by the use of the data.



Reference Drawing

TITLE MOTOMAN-MPL100 II
 DIMENSION DIAGRAM

DATE Nov.12.'14
 DWG.NO. HW1383378

SIZE A3